



**NEW
PRODUCTS**

INTRODUCTION

We Satisfy Market Needs

KUANI is dedicated in developing products that can be used with minimal effort, have the highest standard of user comfort and safety, and will be manufactured in the most eco-friendly way as possible.

Intended Use

- Application context
- Performance requirement

User Comfort

- Working posture
- Safety regulation

Need Customization?

- Choose a product model from our category
- Tell us your specifications
- Or, simply send us a sample and your specifications



DESIGN

- User's health & safety is our priority
- Market-oriented
- Professional engineering
- Prototype and mold
- Ability of developing test instruments and equipment

1

PRODUCTION

- High ratio of self-manufactured content
- Integrated production lines
- 200 CNC machines
- Mass production ability

2

QUALITY ASSURANCE

- Compliance with the regulation of safety requirement
- Total quality management
- KENTE Laboratory for testing vibration and noise

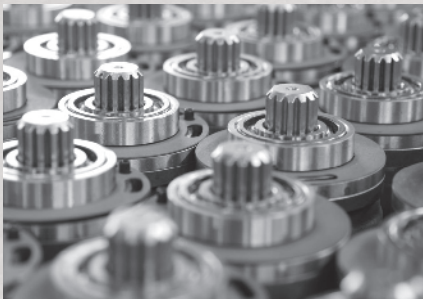
3

About KUANI

KUANI has been the market leader in design, manufacture and distribution for all quality air tools produced in Taiwan for 30 years. KUANI's strong manufacturing capability is supported by around 300 experienced personnel operating over 200 CNC machines with the ability to make over 85% of all parts used in all KUANI products within KUANI's portfolio.



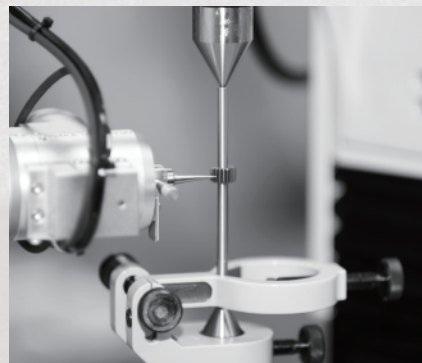
KUANI understands the value of quality and complies with ISO 9001:2008 and has been certificated within the fields of Manufacturing, R&D and Sales of Hand Tools. KUANI promises that each product has been strictly manufactured and checked based on the original design and pre-set frequency of use. When designing air tools, KUANI maintains user safety and comfort without compromising the tool's function. KUANI can offer clients an integrated service from design to mass production.



KUANI's Services:

- Precision Parts Machining Division
- Air Tools Manufacturing (OEM and ODM)
- Sound & Vibration Laboratory

In 2010, KUANI established the **KENTE** vibration and noise of power tool testing laboratory which is the first licensed vibration and noise of power tool testing laboratory in Taiwan. The KENTE laboratory complies with ISO/IEC 17025 and has been certificated by TAF and ILAC-MRA. It also offers a professional testing and consultancy service within the CE regulation of portable air tools.



CONTENTS

Impact	5
Impact Ratchet	15
Hammer	17
Abrasive & Cutting Tools	21
Cutting Tools	25
Sander & Grease Gun	27
Shut-Off Screwdrivers	29
Torque Wrench	35
Torque Wrench Testers	39

To improve products, minor adjustments might have been applied in each batch. Please check the latest figures to confirm your preferences.

About Our Brand

Spirit of Brand

K "KNOW-HOW"

The workforce at KUANI is the company's most important asset. Technical knowledge and professional skills are very highly valued. This has been achieved by providing each employee with an opportunity for training and further development of their skills. Various seminars and speeches are held from time to time and in addition to this we also offer a generous in service education scheme to encourage them to upgrade their expertise.

U "UNIQUE"

With the optimized synergy of KUANI, the products and services we provide will be unique and customized to our customers.

A "ATTRACTIVE"

KUANI offer products and services of the best Price-Performance Ratio which are attractive to our customers.

N "NICE"

A word KUANI likes to hear when our customers see our great products!

I "INITIATIVE"

Each member at KUANI takes the initiative and makes the effort to fulfill our customer's need.



Trademark

KUANI's trademark is composed of two the letters, K and I. This means that we believe the "Know-how" and the "Initiative" are the most important two among our five spirits of brand. Without these two spirits, we could not provide unique, attractive, and nice products.

Our company color scheme uses two colors, blue and yellow. Blue represents the technical Know-how and Yellow for activity and this represents Initiative.

Brand Position

We are proud to say that KUANI as a brand is a "Professional Manufacturer of Power Tools".

Our target customers are both international and local name-brands of hand and power tools. With the upholding of the five sprits brand we are sure KUANI will provide our customers satisfactory products and services.

KUANI's Promise

We promise that each product completed by KUANI has been strictly manufactured and checked based on the original design and pre-set frequency of use.

IMPACT

Ultra Powerful Impact Wrench

Super Powerful
Max Torque of
1000 ft-lb



► **KI-1488**
Twin Hammer

Features & Benefits

- Powerful and balanced twin hammer clutch brings outstanding performance
- Excellent power to weight ratio: delivers 1000 ft-lb(1356 Nm) of Max torque with 9500 rpm free speed, in a gun that weighs just 2.30 kgs
- 3-positive power settings; full power in reverse
- Ergonomic handle offers users comfort and reduces operation fatigue

Specifications Recommended Air Pressure at 90 psi (6.2bar)

MODEL	SQUARE DRIVE INCH	FREE SPEED R. P.M.	MAX TORQUE @5 SEC. ft.lb(Nm)	OVERALL LENGTH INCH(mm)	AIR INLET INCH	AIR HOSE I.D	AVG.AIR CONSUMPTION cfm(L/min)	NET WEIGHT lb(kg)
KI-1488	1/2	9,500	1,000(1,356)	7.5(190)	1/4	3/8	7.3(207)	5.07(2.30)



► **KI-1388**
Twin Hammer



► **KI-1485**
Twin Hammer



► **KI-1489**
Twin Hammer



► **KI-1688**
New Twin Hammer



► **KI-1888**
New Twin Hammer

Specifications Recommended Air Pressure at 90 psi (6.2bar)

MODEL	SQUARE DRIVE INCH	FREE SPEED R. P. M.	MAX TORQUE @5 SEC. ft.lb(Nm)	OVERALL LENGTH INCH(mm)	AIR INLET INCH	AIR HOSE I.D	AVG.AIR CONSUMPTION cfm(L/min)	NET WEIGHT lb(kg)
KI-1388	3/8	13,000	350(475)	6.2(157)	1/4	3/8	5.7(161)	3.35(1.52)
KI-1485	1/2	13,000	400(542)	6.2(157)	1/4	3/8	5.7(161)	3.46(1.57)
KI-1489	1/2	9,000	1,000(1,356)	7.8(198)	1/4	3/8	7.0(198)	5.42(2.46)
KI-1688	3/4	6,000	1,300(1,763)	8.7(222)	1/4	3/8	7.3(207)	9.24(4.19)
KI-1888	1	6,000	1,300(1,763)	8.9(227)	1/4	3/8	7.3(207)	9.35(4.24)

IMPACT

Mini Butterfly Series



► **KI-3221-QC**
1/4" Hex. Screwdriver

Features & Benefits Highlight

- **Mini size:** 5.5" to 5.7" long, ideal for access in confined areas
- **Great power to weight ratio:** 0.53 to 0.55 kgs in weight generates up to 80 ft-lb working torque output, increasing working efficiency
- **Rocking lever control:** easy one hand operation for switching between forward and reverse
- **180° swivel air inlet** for tangle free hose
- 3 position power settings

Specifications Recommended Air Pressure at 90 psi (6.2bar)

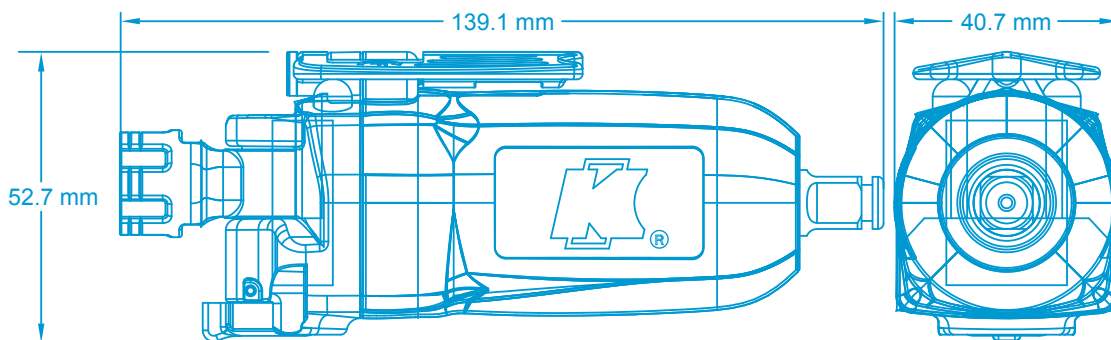
MODEL	FREE SPEED R. P.M.	OVERALL LENGTH INCH(mm)	AIR INLET INCH	AIR HOSE I.D	AVG. AIR CONSUMPTION cfm(L/min)	NET WEIGHT lbs(kg)
KI-3221-QC	12,000	5.7(146)	1/4	3/8	2.1(59)	1.21(0.55)



► **KI-1221**
1/4" SQ. DR. Impact Wrench



► **KI-1321**
3/8" SQ. DR. Impact Wrench



Specifications Recommended Air Pressure at 90 psi (6.2bar)

MODEL	SQUARE DRIVE INCH	FREE SPEED R. P. M.	MAX TORQUE @5 SEC. ft.lb(Nm)	OVERALL LENGTH INCH(mm)	AIR INLET INCH	AIR HOSE I.D	AVG.AIR CONSUMPTION cfm(L/min)	NET WEIGHT lbs(kg)
KI-1221	1/4	12,000	80(108)	5.5(139)	1/4	3/8	2.1(59)	1.17(0.53)
KI-1321	3/8	12,000	80(108)	5.5(139)	1/4	3/8	2.1(59)	1.17(0.53)

IMPACT

Hyper-Compact Impact Wrenches Compact & Lightweight

EVOLUTION

Features & Benefits

- Delivers impressive max torque 500 ft-lb in reverse, with 10,000 rpm free speed
- The most powerful and lightweight in its class
- Short-only 113 mm in length
- Easy to access limited space
- Jumbo Hammer mechanism ensures durability

► **KI-1478**
Jumbo Hammer
Composite Housing

1.35
kg



Specifications Recommended Air Pressure at 90 psi (6.2bar)

MODEL	SQUARE DRIVE INCH	FREE SPEED R. P. M.	MAX TORQUE @5 SEC. ft.lb(Nm)	OVERALL LENGTH INCH(mm)	AIR INLET INCH	AIR HOSE I.D	AVG. AIR CONSUMPTION cfm(L/min)	NET WEIGHT lb(kg)
KI-1478	1/2	10,000	500(678)	4.4(113)	1/4	3/8	4.0(113)	2.98(1.35)



► **KI-1369**
Jumbo Hammer



► **KI-1479**
Jumbo Hammer



► **KI-1479-T**
Twin Hammer



► **KI-1479-K**
Kit set with 6 pcs CR-MO sockets
13, 17, 19, 21, 22, 24 mm

Specifications Recommended Air Pressure at 90 psi (6.2bar)

MODEL	SQUARE DRIVE INCH	FREE SPEED R. P. M.	MAX TORQUE @5 SEC. ft.lb(Nm)	OVERALL LENGTH INCH(mm)	AIR INLET INCH	AIR HOSE I.D	AVG. AIR CONSUMPTION cfm(L/min)	NET WEIGHT lbs(kg)
KI-1369	3/8	6,500	300(407)	4.6(116)	1/4	3/8	2.5(71)	3.42(1.55)
KI-1479	1/2	9,500	500(678)	3.8(97)	1/4	3/8	4.7(133)	3.64(1.65)
KI-1479-T	1/2	9,500	500(678)	4.3(110)	1/4	3/8	4.7(133)	3.97(1.80)

IMPACT

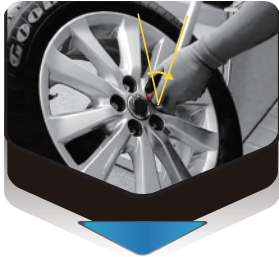
Torque-limited Impact Wrenches Compact & Lightweight



1 KUANI torque limited impact wrench can quickly fasten wheel nut close to target torque, but not exceed.



2 The forward torque of this tool is limited to 80 ft-lb.

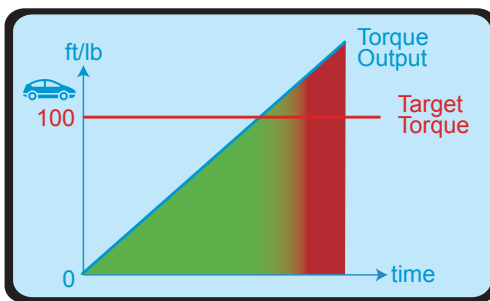


3 Apply the torque wrench to tighten the wheel nut at correct torque.

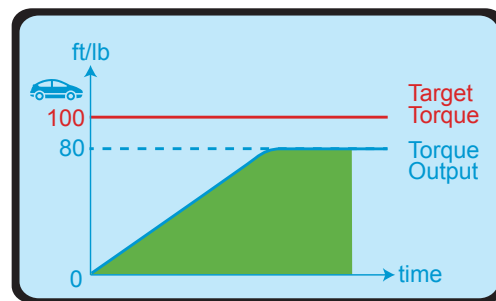


► KI-1481-MT-2

- Max forward torque limited at 80 ft-lb(108 Nm)
- Max torque in reverse at 800 ft-lb(1085 Nm)



Standard Tools



Torque Limited Tools

Specifications Recommended Air Pressure at 90 psi (6.2bar)

MODEL	SQUARE DRIVE INCH	FREE SPEED (For.) R. P. M.	MAX TORQUE @5 SEC. (For.) ft.lb(Nm)	FREE SPEED (Rev.) R. P. M.	MAX.TORQUE @ 5sec.(Rev.) ft-lb(Nm)	OVERALL LENGTH INCH(mm)	AIR INLET INCH	AIR HOSE I.D	AVG.AIR CONSUMPTION cfm(L/min)	NET WEIGHT lb(kg)
KI-1481-MT	1/2	5,500	80(108)	8,500	800(1,085)	7.2(182)	1/4	3/8	6.7(190)	4.29(1.95)
KI-1481-MT-2	1/2	5,500	80(108)	8,500	800(1,085)	8.8(225)	1/4	3/8	6.7(190)	4.51(2.05)

Standard Finger Tip Slide Control Series



► **KI-1380**
► **KI-1482**



► **KI-1481**



► **KI-1480**
► **KI-1681**



► **KI-1680**
► **KI-1880**

Specifications Recommended Air Pressure at 90 psi (6.2bar)

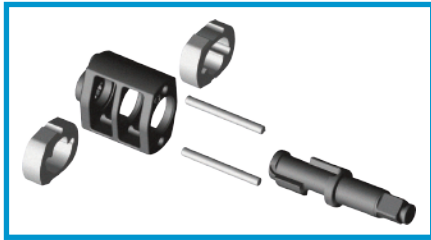
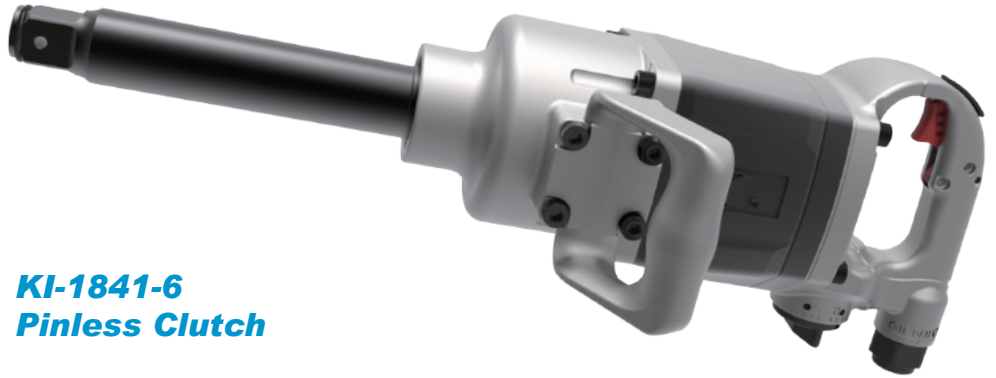
MODEL	SQUARE DRIVE INCH	FREE SPEED R. P. M.	MAX TORQUE @5 SEC. ft.lb(Nm)	OVERALL LENGTH INCH(mm)	AIR INLET INCH	AIR HOSE I.D	AVG. AIR CONSUMPTION cfm(L/min)	NET WEIGHT lbs(kg)
KI-1380	3/8	13,500	400(542)	6.0(152)	1/4	3/8	5.9(167)	2.71(1.23)
KI-1482	1/2	13,500	430(583)	6.0(152)	1/4	3/8	5.9(167)	2.76(1.25)
KI-1481	1/2	8,500	750(1,017)	7.2(182)	1/4	3/8	6.7(190)	4.19(1.90)
KI-1480	1/2	8,000	900(1,220)	7.8(197)	1/4	3/8	6.7(190)	5.05(2.29)
KI-1681	3/4	8,000	950(1,288)	8.3(211)	1/4	3/8	6.7(190)	5.25(2.38)
KI-1680	3/4	6,000	1,300(1,763)	8.7(222)	3/8	1/2	7.3(206)	8.33(3.78)
KI-1880	1	6,000	1,400(1,898)	8.9(227)	3/8	1/2	7.3(206)	8.56(3.88)

IMPACT

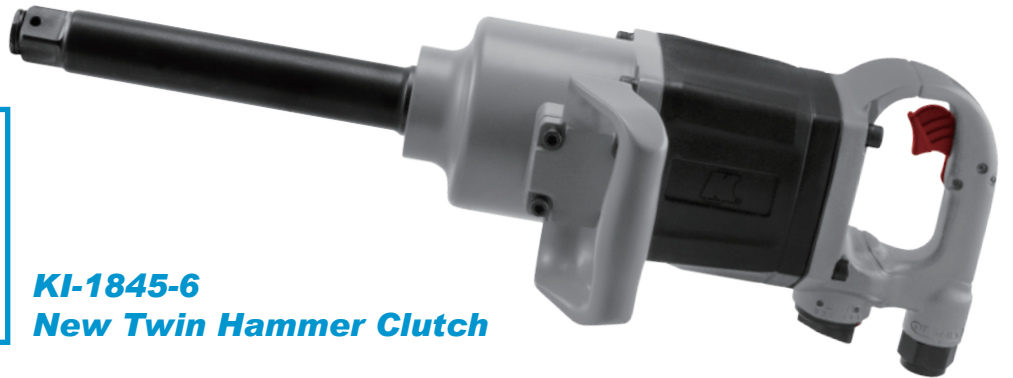
Super Powerful Impact Series



KI-1841-6
Pinless Clutch



KI-1845-6
New Twin Hammer Clutch



Features

- 3 position power settings
- Powerful-Max torque of 2,500 ft-lb with 4,500 rpm free speed

Benefits

- Designed for industrial demands and extremely intensive vehicle service

Specifications Recommended Air Pressure at 90 psi (6.2bar)

MODEL	SQUARE DRIVE INCH	FREE SPEED R. P. M.	MAX TORQUE @5 SEC. ft.lb(Nm)	OVERALL LENGTH INCH(mm)	AIR INLET INCH	AIR HOSE I.D	AVG.AIR CONSUMPTION cfm(L/min)	NET WEIGHT lbs(kg)
KI-1841-6	1	4,500	2,500(3,390)	21.1(535)	1/2	3/4	9.1(258)	29.99(13.60)
KI-1845-6	1	4,500	2,500(3,390)	23.2(590)	1/2	3/4	9.1(258)	27.41(12.43)

Ultra Lightweight Impact Series



KI-1635

Net weight :
12.57 lb (5.70 kg)
Max. torque :
1600 ft-lb (2170 Nm)



KI-1838A-6

Net weight :
17.86 lb (8.10 kg)
Max. torque :
2000 ft-lb (2712 Nm)



KI-1835

Net weight :
12.79 lb (5.80 kg)
Max. torque :
1600 ft-lb (2170 Nm)



KI-1838A-P

Net weight :
15.66 lb (7.10 kg)
Max. torque :
1800 ft-lb (2441 Nm)

Specifications Recommended Air Pressure at 90 psi (6.2bar)

MODEL	SQUARE DRIVE INCH	FREE SPEED R. P. M.	MAX TORQUE @5 SEC. ft.lb(Nm)	OVERALL LENGTH INCH(mm)	AIR INLET INCH	AIR HOSE I.D	AVG. AIR CONSUMPTION cfm(L/min)	NET WEIGHT lbs(kg)
KI-1635	3/4	5,500	1,600(2,170)	12.5(318)	1/2	3/4	8.5(241)	12.57(5.70)
KI-1835	1	5,500	1,600(2,170)	12.7(323)	1/2	3/4	8.5(241)	12.79(5.80)
KI-1838A-6	1	5,000	2,000(2,712)	19.2(487)	1/2	3/4	9.0(255)	17.86(8.10)
KI-1838A-P	1	5,000	1,800(2,441)	10.8(275)	1/2	3/4	9.0(255)	15.66(7.10)

IMPACT RATCHET

Unicorn™ Impact Ratchet Series

- **Up to 20% more torque output**
- **3 times faster rundown**
- **Very low reaction force**



Dual Pawl Ratchet

- Twice as durable compared with the single pawl design
- Prolonged tool working life with increased performance and torque output

Head-Sealed Design

- Prevents dirt and debris from entering the inner ratchet mechanism
- The full caged metal housing prevents the ratchet head from distorting that may result in tool failure

Unicorn™ Hammer Clutch

- The KUANI patented Unicorn™ Hammer Clutch gives 20% increased torque output with 3 times faster run down speed and reduced kick back to prevent wrist injury

Composite Grip

- The ergonomic design gives maximum comfort and insulation from cold and vibration



► **KI-2223**
► **KI-2323**



► **KI-2224**
► **KI-2324**



► **KI-2325**
► **KI-2425**



► **KI-2326**
► **KI-2426**



► **KI-2328**
► **KI-2428**



► **KI-2319**
► **KI-2419**



► **KI-2320**
► **KI-2420**



Specifications Recommended Air Pressure at 90 psi (6.2bar)

MODEL	SQUARE DRIVE INCH	FREE SPEED R. P. M.	MAX TORQUE @5 SEC. ft.lb(Nm)	OVERALL LENGTH INCH(mm)	AIR INLET INCH	AIR HOSE I.D	AVG.AIR CONSUMPTION cfm(L/min)	NET WEIGHT lbs(kg)	Ratchet Pawl
KI-2223	1/4	700	50(68)	6.5(164)	1/4	3/8	3.1(88)	1.32(0.60)	Single
KI-2323	3/8	700	50(68)	6.5(164)	1/4	3/8	3.1(88)	1.32(0.60)	Single
KI-2224	1/4	700	45(61)	7.5(190)	1/4	3/8	3.1(88)	1.54(0.70)	Single
KI-2324	3/8	700	45(61)	7.5(190)	1/4	3/8	3.1(88)	1.54(0.70)	Single
KI-2325	3/8	600	100(136)	11.9(301)	1/4	3/8	4.0(113)	3.97(1.80)	Dual
KI-2425	1/2	600	100(136)	11.9(301)	1/4	3/8	4.0(113)	3.97(1.80)	Dual
KI-2326	3/8	600	100(136)	11.5(292)	1/4	3/8	4.0(113)	3.26(1.48)	Dual
KI-2426	1/2	600	100(136)	11.5(292)	1/4	3/8	4.0(113)	3.26(1.48)	Dual
KI-2328	3/8	600	120(163)	13.6(346)	1/4	3/8	4.0(113)	3.97(1.80)	Dual
KI-2428	1/2	600	120(163)	13.6(346)	1/4	3/8	4.0(113)	3.97(1.80)	Dual
KI-2319	3/8	600	120(163)	13.8(350)	1/4	3/8	4.2(119)	4.17(1.89)	Dual
KI-2419	1/2	600	120(163)	13.8(350)	1/4	3/8	4.2(119)	4.17(1.89)	Dual
KI-2320	3/8	900	200(271)	15.3(389)	1/4	3/8	4.9(139)	5.51(2.50)	Dual
KI-2420	1/2	900	200(271)	15.3(389)	1/4	3/8	4.9(139)	5.51(2.50)	Dual

HAMMER

Vibration-Damped Air Hammers Low Vibration & Ergonomic

Angle 80° T-shaped Pistol Grip

- Help users to hold the tool in an ergonomically neutral position

The Patented Vibration-Damped Valve

- Improves user comfort
- Prolongs service time



TPR Soft Rubber

- Absorbs shock
- Thermal insulation

The Patented Front-Rear Exhaust Switch

- Allows user to quick change exhaust direction to either front or rear exhaust

Air Exhaust Switch



Front Exhaust



Rear Exhaust

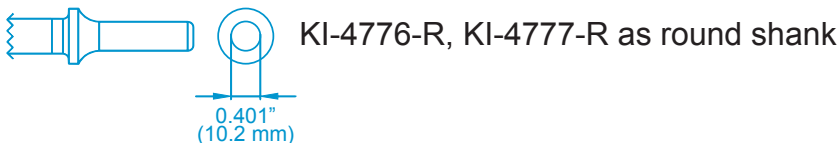
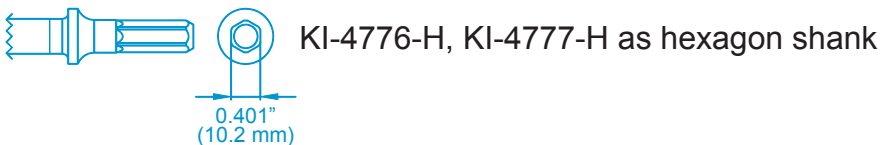
Various retainer types for users to choose



Features & Benefits

- The patented vibration-damped hammer mechanism minimizes operator fatigue
- Patented front-rear exhaust switch
- The cylinder bushing and piston valves are all specially made from durable high strength alloy steel prolongs the tool life
- Accepts various retainer types
- Ideal for general cutting, chipping and scraping

KI-4777 as long barrel hammer with 2100 bpm



► **KI-4776**

Optional Retainers



► **AC-100-02** ► **AC-100-02D** ► **AC-100-03** ► **AC-100-04** ► **AC-100-05** ► **AC-100-08R**
 ► **AC-100-08H**

Specifications Recommended Air Pressure at 90 psi (6.2bar)

MODEL	BLOWS PER MINUTE B. P. M.	PISTON DIAMETER INCH(mm)	PISTON STROKE INCH(mm)	OVERALL LENGTH INCH(mm)	AIR INLET INCH	AIR HOSE I.D INCH	AVG. AIR CONSUMPTION cfm(L/min)	NET WEIGHT lbs(kg)
KI-4776	3,000	3/4(19)	2.6(65)	8.1(205)	1/4	3/8	7.8(221)	3.75(1.70)
KI-4777	2,100	3/4(19)	3.5(90)	9.8(248)	1/4	3/8	8.2(232)	4.41(2.00)

HAMMER

Integrated Quick Change Retainer

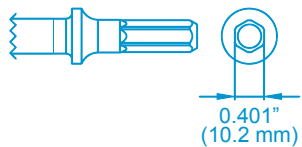


Features & Benefits

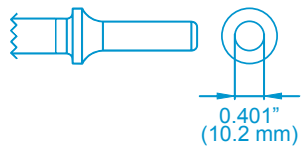
- The patented vibration-damped hammer mechanism minimizes operator fatigue
- Patented front-rear exhaust switch
- Alloyed steel barrel and heat-treated piston ensures longer tool life
- Coupled with integrated quick change retainer
- Designed for general cutting and repair work

KI-4775A as short barrel hammer with 3800 bpm

KI-4777A as long barrel hammer with 2100 bpm



KI-4775-H, KI-4776A-H, KI-4777A-H as hexagon shank



KI-4775A-R, KI-4776A-R, KI-4777A-R as round shank

► **KI-4776A**

Specifications Recommended Air Pressure at 90 psi (6.2bar)

MODEL	BLOWS PER MINUTE B. P. M.	PISTON DIAMETER INCH(mm)	PISTON STROKE INCH(mm)	OVERALL LENGTH INCH(mm)	AIR INLET INCH	AIR HOSE I.D INCH	AVG. AIR CONSUMPTION cfm(L/min)	NET WEIGHT lbs(kg)
KI-4775A	3,800	3/4(19)	1.7(42)	7.3(186)	1/4	3/8	5.6(159)	4.19(1.90)
KI-4776A	3,000	3/4(19)	2.6(65)	8.5(217)	1/4	3/8	7.8(221)	4.41(2.00)
KI-4777A	2,100	3/4(19)	3.5(90)	10.3(262)	1/4	3/8	8.2(232)	5.29(2.40)

Pittsburgh Hammer

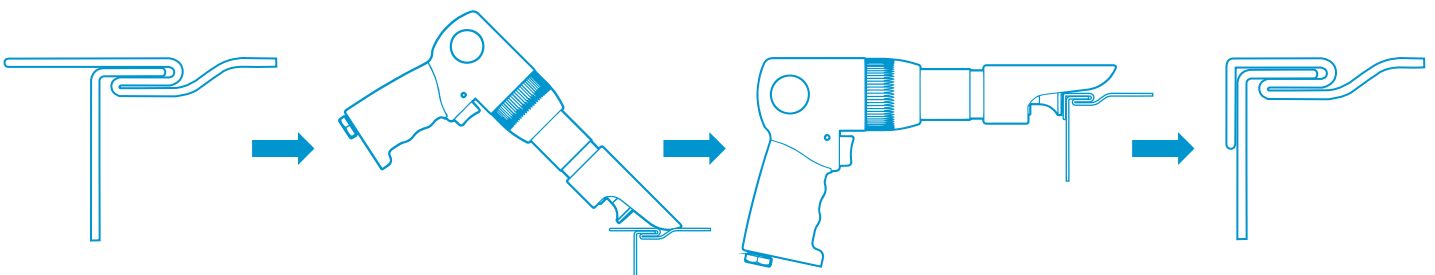


► **KI-4776-PH**

Features & Benefits

- The patented vibration-damped hammer mechanism minimizes operator fatigue
- Patented front-rear exhaust switch
- 360° adjustable hammer guide ensures a neat and perfect seal is made along the edge of either curved or straight seams
- Precision machined high efficient piston motor offers high work efficiency
- The cylinder bushing and piston valves are all specially made from durable high strength alloy steel prolongs the tool life

KI-4777-PH as long barrel hammer with 3000 bpm



Specifications Recommended Air Pressure at 90 psi (6.2bar)

MODEL	BLOWS PER MINUTE B. P. M.	PISTON DIAMETER INCH(mm)	PISTON STROKE INCH(mm)	OVERALL LENGTH INCH(mm)	AIR INLET INCH	AIR HOSE I.D INCH	AVG. AIR CONSUMPTION cfm(L/min)	NET WEIGHT lbs(kg)
KI-4776-PH	4,200	3/4(19)	1.6(40)	9.9(252)	1/4	3/8	10.2(289)	4.85(2.20)
KI-4777-PH	3,000	3/4(19)	2.6(65)	11.1(283)	1/4	3/8	11.4(323)	5.29(2.40)

ABRASIVE & CUTTING TOOLS



Abrasive Tools



Cutting Tools



Die Grinders



▶ **KI-6241** ▶ **KI-6242** ▶ **KI-6241-A** ▶ **KI-6242-A** ▶ **KI-6241-BA** ▶ **KI-6242-BA**



▶ **KI-6243** ▶ **KI-6243A** ▶ **KI-6241-4L** ▶ **KI-6242-4L** ▶ **KI-6242-7L** ▶ **KI-6242-11L**

Specifications Recommended Air Pressure at 90 psi (6.2bar)

MODEL	COLLET SIZE INCH(mm)	FREE SPEED R. P. M.	OVERALL LENGTH INCH(mm)	AIR INLET INCH	AIR HOSE I.D.	AVG. AIR CONSUMPTION cfm(L/min)	NET WEIGHT lbs(kg)
KI-6241	1/4(6)	25,000	5.9(150)	1/4	3/8	2.7(76)	0.79(0.36)
KI-6241-A	1/4(6)	22,000	6.2(158)	1/4	3/8	2.7(76)	1.19(0.54)
KI-6241-BA	1/4(6)	22,000	7.3(185)	1/4	3/8	2.7(76)	1.21(0.55)
KI-6241-4L	1/4(6)	24,000	9.8(248)	1/4	3/8	4.0(113)	1.41(0.64)
KI-6242	1/4(6)	22,000	6.7(170)	1/4	3/8	4.0(113)	1.54(0.70)
KI-6242-A	1/4(6)	18,000	6.7(170)	1/4	3/8	4.0(113)	1.76(0.80)
KI-6242-BA	1/4(6)	18,000	7.8(197)	1/4	3/8	4.0(113)	1.76(0.80)
KI-6242-4L	1/4(6)	22,000	10.2(260)	1/4	3/8	4.0(113)	2.18(0.99)
KI-6242-7L	1/4(6)	20,000	13.4(340)	1/4	3/8	4.0(113)	2.87(1.30)
KI-6242-11L	1/4(6)	20,000	17.3(440)	1/4	3/8	4.0(113)	3.31(1.50)
KI-6243	1/4(6)	2,500	8.3(210)	1/4	3/8	4.0(113)	2.09(0.95)
KI-6243A	1/4(6)	3,500	8.3(210)	1/4	3/8	4.0(113)	2.09(0.95)

ABRASIVE & CUTTING TOOLS

Abrasive Tools



► **KI-4443**
Air Tire Buffer



► **KI-5343**
► **KI-5343A**
Air Tire Buffer



► **KI-6442**
► **KI-6442A**
Air Stripping Tool



► **KI-6421**
Air Belt Sander

Specifications Recommended Air Pressure at 90 psi (6.2bar)

MODEL	OUTPUT SIZE INCH	SPINDLE THREAD INCH	FREE SPEED R. P. M.	OVERALL LENGTH INCH(mm)	AIR INLET INCH	AIR HOSE I.D	AVG. AIR CONSUMPTION cfm(L/min)	NET WEIGHT lbs(kg)
KI-4443	3/8	3/8-24	22,000	8.1(205)	1/4	3/8	4.0(113)	1.72(0.78)
KI-5343	7/16 HEX.	3/8-24	2,500	8.3(210)	1/4	3/8	4.0(113)	2.21(1.00)
KI-5343A	7/16 HEX.	3/8-24	3,500	8.3(210)	1/4	3/8	4.0(113)	2.21(1.00)
KI-6442	5/16-24 UNF	3/8-24	2,500	8.9(225)	1/4	3/8	4.0(113)	2.21(1.00)
KI-6442A	5/16-24 UNF	3/8-24	3,500	8.9(225)	1/4	3/8	4.0(113)	2.21(1.00)

Specifications Recommended Air Pressure at 90 psi (6.2bar)

MODEL	BELT SIZE mm	FREE SPEED R. P. M.	OVERALL LENGTH INCH(mm)	AIR INLET INCH	AIR HOSE I.D	AVG. AIR CONSUMPTION cfm(L/min)	NET WEIGHT lbs(kg)
KI-6421	50x235	8,500	8.7(220)	1/4	3/8	3.0(85)	1.63(0.74)

Cutting Tools



► **KI-4341**
Air Window Cutter



► **KI-4342**
Air Window Cutter With Hose



► **KI-4442**
Air Cut Off Tool



► **KI-4808**
Air Nibbler



► **KI-4808-A**
Air Nibbler



► **KI-4842**
Air Metal Shear



► **KI-4833**
Air Body Saw

Specifications Recommended Air Pressure at 90 psi (6.2bar)

MODEL	STROKE ARC degree	STROKES PER MINUTE B. P. M.	OVERALL LENGTH INCH(mm)	AIR INLET INCH	AIR HOSE I.D	AVG. AIR CONSUMPTION cfm(L/min)	NET WEIGHT lbs(kg)
KI-4341	2°	20,000	7.1(180)	1/4	3/8	3.0(85)	1.48(0.67)
KI-4342	2°	20,000	7.7(195)	1/4	3/8	4.0(113)	2.14(0.97)

Specifications Recommended Air Pressure at 90 psi (6.2bar)

MODEL	WHEEL SIZE INCH	FREE SPEED R. P. M.	OVERALL LENGTH INCH(mm)	AIR INLET INCH	AIR HOSE I.D	AVG. AIR CONSUMPTION cfm(L/min)	NET WEIGHT lbs(kg)
KI-4442	3	20,000	7.1(180)	1/4	3/8	4.0(113)	1.85(0.84)

Specifications Recommended Air Pressure at 90 psi (6.2bar)

MODEL	STEEL gauge(mm)	STROKE LENGTH mm	STROKES PER MINUTE B. P. M.	OVERALL LENGTH INCH(mm)	AIR INLET INCH	AIR HOSE I.D	AVG. AIR CONSUMPTION cfm(L/min)	NET WEIGHT lbs(kg)
KI-4808	18(1.2)	N/A	3,500	7.7(195)	1/4	3/8	2.0(57)	1.78(0.81)
KI-4808-A	18(1.2)	N/A	3,500	7.7(195)	1/4	3/8	2.0(57)	1.78(0.81)
KI-4842	18(1.2)	N/A	2,500	9.8(250)	1/4	3/8	4.0(113)	2.67(1.21)
KI-4833	N/A	10	9,500	8.1(205)	1/4	3/8	2.0(57)	1.08(0.49)

CUTTING TOOLS

Vibration-Damped Air Body Saw Ergonomic & Lightweight



Specifications Recommended Air Pressure at 90 psi (6.2bar)

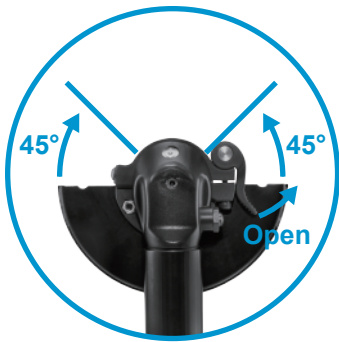
MODEL	STROKE LENGTH mm	STROKES PER MINUTE B. P. M.	OVERALL LENGTH INCH(mm)	AIR INLET INCH	AIR HOSE I.D.	AVG. AIR CONSUMPTION cfm(L/min)	NET WEIGHT lbs(kg)
KI-4835	14	10,000	8.9(227)	1/4	3/8	2.3(65)	1.37(0.62)

Air Corner Cut-Off Tool

90° adjustable swivel guard can protect operator from cutting spark

Spindle lock system for quick changing wheel with ease

Built - in speed regulator for easy adjustment



Head Clearance

- 1 HP motor with 14000 rpm free speed
- Ideal for cutting metal, exhaust pipes and body panels

- **Composite ergonomic grip**
- **Equipped with muffler to reduce noise**



▶ KI-4413

Specifications Recommended Air Pressure at 90 psi (6.2bar)

MODEL	WHEEL SIZE INCH	FREE SPEED R. P.M.	OVERALL LENGTH INCH(mm)	AIR INLET INCH	AIR HOSE I.D	AVG. AIR CONSUMPTION cfm(L/min)	NET WEIGHT lbs(kg)
KI-4413	4	14,000	13.6(345)	1/4	3/8	4.1(116)	3.09(1.40)

SANDER & GREASE GUN

Orbital Air Angle Sander Kit Lightweight & Handy



► **KI-6511-A**

Ergonomic grip



► **KI-6511-A-K**

Features & Benefits

- Rear exhaust directs air away from working area and reduces noise
- Supplied with 3 Velcro backing pads:
 - Round – Diameter 30mm; 48mm
 - Triangular – Side Length 38mm
- Ideal for spot sanding, polishing, and surface removing

Kit Contents

- 1 PC x Surface Restoration tool
- 1 PC x 1.2" Velcro Pad
- 1 PC x 2" Velcro Pad
- 1 PC x Tringle Mini Velcro Pad
- 1 PC x Nipple
- 1 PC x 2" Wool Pad
- 1 PC x 1.2" Wool Pad
- 1 PC x 2" Polishing Pad
- 1 PC x 1.2" Polishing Pad
- 60 PCS x 1.2" Sandpapers
- 60 PCS x 1.5" Mini Triangular Sandpapers
- 60 PCS x Sandpapers
- 1 PC x Blow Mold Case

Specifications Recommended Air Pressure at 90 psi (6.2bar)

MODEL	PAD SIZE INCH(mm)	SPINDLE THREAD INCH	FREE SPEED R. P. M.	ORBITAL DIAMETER mm	OVERALL LENGTH INCH(mm)	AIR INLET INCH	AIR HOSE I.D	AVG. AIR CONSUMPTION cfm(L/min)	NET WEIGHT lbs(kg)
KI-6511-A	1-3/16(30)	1/4-20	13,000	2.0	6.1(155)	1/4	3/8	2.6(74)	1.10(0.50)

Single & Continuous Shot Air Grease Gun

The patented design switchable 2 greasing modes of single shot and continuous shot

Quick decompression valve

Features & Benefits

- 3 options of filling grease container: filler pump, bulk or 14 oz. cartridge
- Squeeze out 1~1.3 ml of grease per shot
- Application for automotive, industrial equipment lubrication



► **KI-7422**



► **KI-7422A**

The see-through tube allows users to monitor the grease volume

Specifications Recommended Air Pressure at 90 psi (6.2bar)

MODEL	CAPACITY BULK cc	CAPACITY CARTRIDGE oz	INPUT PRESSURE psi	SINGLE OUT PRESSURE psi	CON. OUT PRESSURE psi	AIR INLET INCH	AIR HOSE I.D INCH	NET WEIGHT lbs(kg)
KI-7422	450	14	60-100	3,600	2,500	1/4	3/8	3.53(1.60)
KI-7422A	450	14	60-100	3,600	2,500	1/4	3/8	3.97(1.80)

SHUT-OFF SCREWDRIVER

Twin Lobe Face Cam Clutch Shut-Off Screwdrivers

KUANI's shut-off screwdrivers are precise on torque setting and automatically stop upon meeting the preset torque. These tools are designed for the industrial assembly line where critical control on torque is an essential factor. KUANI offer models of varied torque range, speed, start-up type, and handle type, giving a wide choice for the different work conditions and requirements.

To examine the torque accuracy of these shut-off tools the KI-TM-150 (torque tester) is strongly recommended.

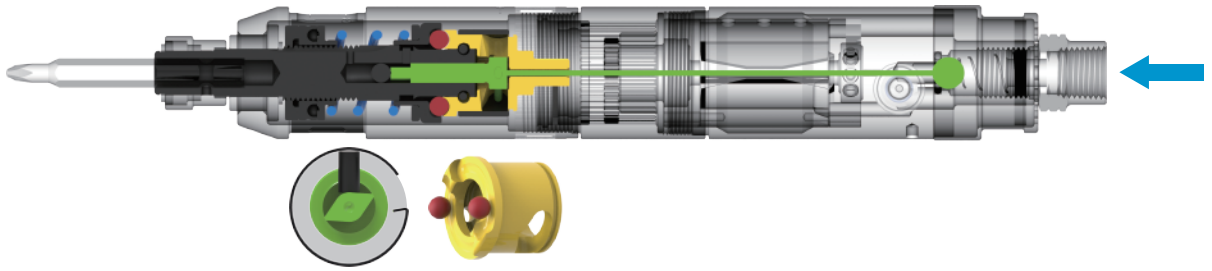
Features

- The Twin Lobe Face Cam Clutch is designed with an improved and simplified structure which can prevent from undercutting caused by the parts wearing off over time and ensure long-lasting precision of torque out-put. The simple mechanism also improves the efficiency of maintenance.
- Torque is presetted externally

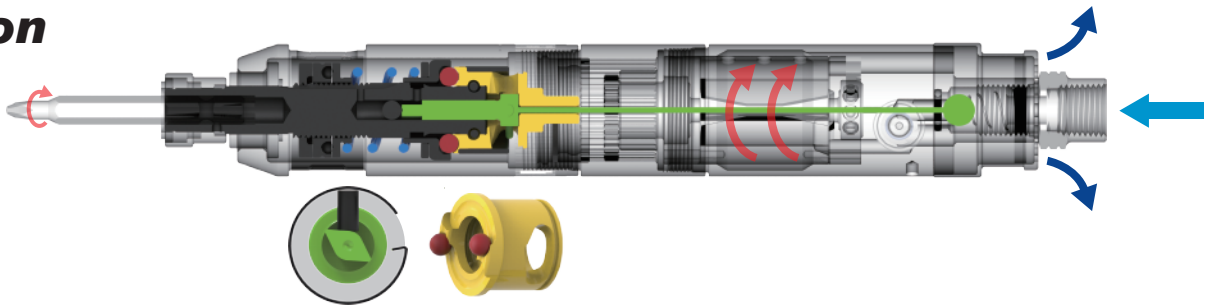
Additional Springs for Choice Give more flexibility on Models' torque performance

Free Speed (R. P.M.)		480	800	800	
Clutch Spring Part No.	Torque range		KI-35005-STWA	KI-35008-STWA	KI-34008-STWA
	kgf-cm	N.m	KI-35105-PLWA	KI-35108-PLWA	KI-34108-PLWA
SPR-35005-02-00	20~100	2.0~10.0	Standard		KI-34008-SLWA
SPR-35008-08-00	15~60	1.5~6.0	Optional	Standard	
SPR-35017-03-00	15~35	1.5~3.5	Optional	Optional	
SPR-34021-05-00	8~40	0.8~4.0			Standard
SPR-34021-05-00	10~30	1.0~3.0			
SPR-34021-05-00	10~25	1.0~2.5			
SPR-33017-02-00	10~25	1.0~2.5			
SPR-33017-02-00	10~20	1.0~2.0			
SPR-33023-01-00	10~15	1.0~1.5			

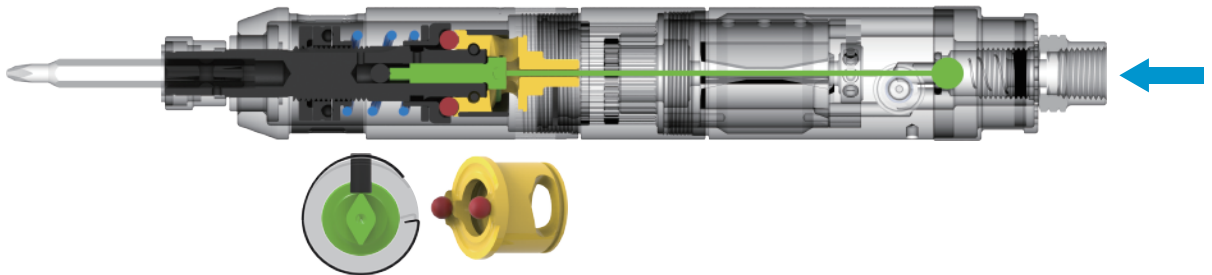
Neutral



Operation



Shut-off



1100	1500	1700	1700	2100	2300
Model No.					
KI-33011-STWA	KI-34015-STWA	KI-35017-STWA	KI-33017-STWA	KI-34021-STWA	KI-33023-STWA
KI-33111-PLWA	KI-34115-PLWA	KI-35117-PLWA	KI-33117-PLWA	KI-34121-PLWA	KI-33123-PLWA
KI-33011-SLWA	KI-34015-SLWA		KI-33017-SLWA	KI-34021-SLWA	KI-33023-SLWA
		Standard			
	Standard				
Standard				Standard	
			Standard		
Optional			Optional		Standard

SHUT-OFF SCREWDRIVER

Straight Models Push-to-Start Type



▶ **KI-33017-STWA**



▶ **KI-34008-STWA**



▶ **KI-35008-STWA**

Features

- Torque range: 7-88 in-lb (0.8-10 Nm)
- Twin-lobe face cam clutch
- Button-type direction switch
- Push-to-start (PTS) type

Benefits

- Acute response to preset torque
- Enhanced clutch durability

Specifications Recommended Air Pressure at 90 psi (6.2bar)

MODEL	CAPACITY (SCREW SIZE) INCH(mm)	TORQUE RANGE in-lb(Nm)	FREE SPEED R. P. M.	FROM CENTER TO OUTSIDE INCH(mm)	OVERALL LENGTH INCH(mm)	AIR INLET INCH	AIR HOSE I.D	AVG. AIR CONSUMPTION cfm(L/min)	WEIGHT LESS BIT lbs(kg)
KI-33011-STWA	5/32(4)	8.8~22(1~2.5)	1,100	0.6(15.5)	8.4(214)	1/4	1/4	7.1(200)	1.21(0.55)
KI-33017-STWA	5/32(4)	8.8~17.6(1~2)	1,700	0.6(15.5)	8.4(214)	1/4	1/4	7.1(200)	1.21(0.55)
KI-33023-STWA	9/64(3.5)	8.8~13.2(1~1.5)	2,300	0.6(15.5)	8.4(214)	1/4	1/4	7.1(200)	1.21(0.55)
KI-34008-STWA	13/64(5)	7~35.2(0.8~4)	800	0.6(16.5)	9.2(233)	1/4	1/4	10.6(300)	1.48(0.67)
KI-34015-STWA	13/64(5)	8.8~26.4(1~3)	1,500	0.6(16.5)	9.2(233)	1/4	1/4	10.6(300)	1.48(0.67)
KI-34021-STWA	5/32(4)	8.8~22(1~2.5)	2,100	0.6(16.5)	9.2(233)	1/4	1/4	10.6(300)	1.48(0.67)
KI-35005-STWA	5/32~15/64(4~6)	17.6~88(2~10)	480	0.8(19.5)	10.1(257)	1/4	3/8	17.7(500)	2.21(1.00)
KI-35008-STWA	5/32~15/64(4~6)	13.2~52.8(1.5~6)	800	0.8(19.5)	10.1(257)	1/4	3/8	17.7(500)	2.21(1.00)
KI-35017-STWA	5/32~13/64(4~5)	13.2~30.8(1.5~3.5)	1,700	0.8(19.5)	10.1(257)	1/4	3/8	17.7(500)	2.21(1.00)

Straight Models Lever Start Type



► **KI-33017-SLWA**



► **KI-34008-SLWA**

Features

- Torque range: 7-35.2 in-lb (0.8-4 Nm)
- Twin-lobe face cam clutch
- Lever start type and button reverse

Benefits

- Reliable tool for achieving precise fastening force
- Enhanced clutch durability

Specifications Recommended Air Pressure at 90 psi (6.2bar)

MODEL	CAPACITY (SCREW SIZE) INCH(mm)	TORQUE RANGE in-lb(Nm)	FREE SPEED R. P. M.	FROM CENTER TO OUTSIDE INCH(mm)	OVERALL LENGTH INCH(mm)	AIR INLET INCH	AIR HOSE I.D	AVG. AIR CONSUMPTION cfm(L/min)	WEIGHT LESS BIT lbs(kg)
KI-33011-SLWA	5/32(4)	8.8~22(1~2.5)	1,100	0.6(15.0)	10.3(261)	1/4	1/4	7.1(200)	1.41(0.64)
KI-33017-SLWA	5/32(4)	8.8~17.6(1~2)	1,700	0.6(15.0)	10.3(261)	1/4	1/4	7.1(200)	1.41(0.64)
KI-33023-SLWA	9/64(3.5)	8.8~13.2(1~1.5)	2,300	0.6(15.0)	10.3(261)	1/4	1/4	7.1(200)	1.41(0.64)
KI-34008-SLWA	13/64(5)	7~35.2(0.8~4)	800	0.7(17.0)	10.9(277)	1/4	1/4	10.6(300)	1.68(0.76)
KI-34015-SLWA	13/64(5)	8.8~26.4(1~3)	1,500	0.7(17.0)	10.9(277)	1/4	1/4	10.6(300)	1.68(0.76)
KI-34021-SLWA	5/32(4)	8.8~22(1~2.5)	2,100	0.7(17.0)	10.9(277)	1/4	1/4	10.6(300)	1.68(0.76)

SHUT-OFF SCREWDRIVER

Pistol Models



► KI-33111-PLWA



► KI-34115-PLWA



► KI-35105-PLWA

Features

- Torque range: 7-88 in-lb (0.8-10 Nm)
- Twin-lobe face cam clutch
- Pistol handle and a side toggle for direction switch

Benefits

- Immediately stop at the preset torque
- Single-handed control on tool activation and direction switch
- Enhanced clutch durability

Specifications Recommended Air Pressure at 90 psi (6.2bar)

MODEL	CAPACITY (SCREW SIZE) INCH(mm)	TORQUE RANGE in-lb(Nm)	FREE SPEED R. P. M.	FROM CENTER TO OUTSIDE INCH(mm)	OVERALL LENGTH INCH(mm)	AIR INLET INCH	AIR HOSE I.D	AVG. AIR CONSUMPTION cfm(L/min)	WEIGHT LESS BIT lbs(kg)
KI-33111-PLWA	5/32(4)	8.8~22(1~2.5)	1,100	0.6(16.0)	7.2(183)	1/4	1/4	7.1(200)	1.63(0.74)
KI-33117-PLWA	5/32(4)	8.8~17.6(1~2)	1,700	0.6(16.0)	7.2(183)	1/4	1/4	7.1(200)	1.63(0.74)
KI-33123-PLWA	9/64(3.5)	8.8~13.2(1~1.5)	2,300	0.6(16.0)	7.2(183)	1/4	1/4	7.1(200)	1.63(0.74)
KI-34108-PLWA	13/64(5)	7~35.2(0.8~4)	800	0.7(17.0)	7.6(194)	1/4	1/4	10.6(300)	1.92(0.87)
KI-34115-PLWA	13/64(5)	8.8~26.4(1~3)	1,500	0.7(17.0)	7.6(194)	1/4	1/4	10.6(300)	1.92(0.87)
KI-34121-PLWA	5/32(4)	8.8~22(1~2.5)	2,100	0.7(17.0)	7.6(194)	1/4	1/4	10.6(300)	1.92(0.87)
KI-35105-PLWA	5/32~15/64(4~6)	17.6~88(2~10)	480	0.8(20.0)	8.4(213)	1/4	3/8	17.7(500)	2.65(1.20)
KI-35108-PLWA	5/32~15/64(4~6)	13.2~52.8(1.5~6)	800	0.8(20.0)	8.4(213)	1/4	3/8	17.7(500)	2.65(1.20)
KI-35117-PLWA	5/32~13/64(4~5)	13.2~30.8(1.5~3.5)	1,700	0.8(20.0)	8.4(213)	1/4	3/8	17.7(500)	2.65(1.20)

Torque Tester

Suitable for Shut-off Screwdriver Torque Testing
 Testing Range: 0.5-15 Nm

- LCD display with backlight function.
- Peak and tracing mode selectable.

- High-/Low-limits setting and detection.
- Color LEDs indication for pass and fail.



- RS232 serial bus connection to a PC.
- Automatic test report generation available.

- Operation from internal rechargeable Li-ion battery pack or a.c. supply (100-240Volts).

► KI-TM-150 includes

- DC 7.5V/0.8A Changer 1PC
- RS-232 Cable 1PC
- Software on CD-R 1PC
- Soft Joint Simulator-Set 1: for target torque $\geq 5\text{N.m}$ (51.0 Kg-cm) 1PC
- Soft Joint Simulator-Set 2: for target torque $< 5\text{N.m}$ (51.0 Kg-cm) 1PC

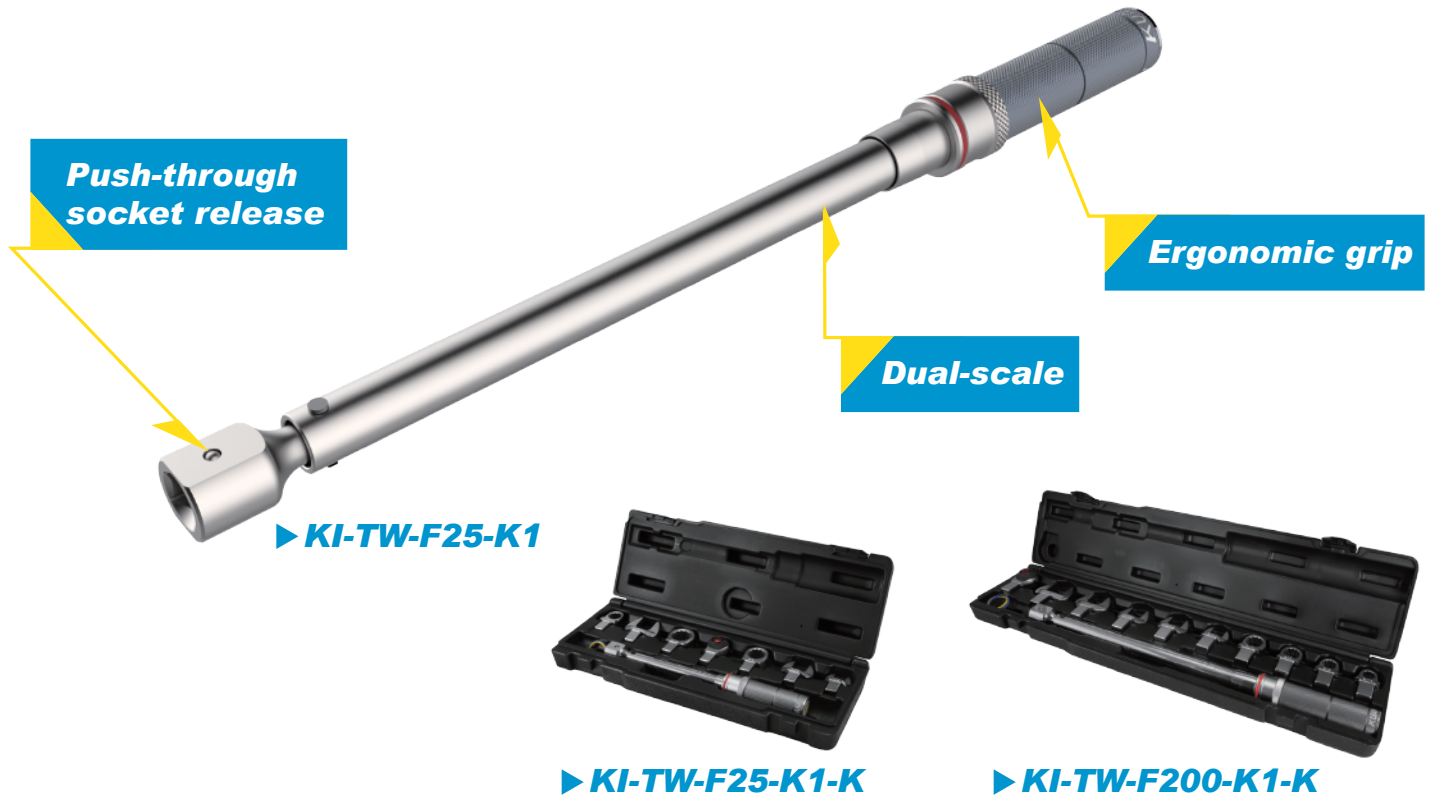


Specifications Recommended Air Pressure at 90 psi (6.2bar)

MODEL	MEASUREMENT RANGE N-m	DIMENSION mm	ACCURACY %	NET WEIGHT kg
KI-TM-150	0.5~15	215x134x60	+/-1	1.3

TORQUE WRENCH

Interchangeable Torque Wrench Series



Features & Benefits

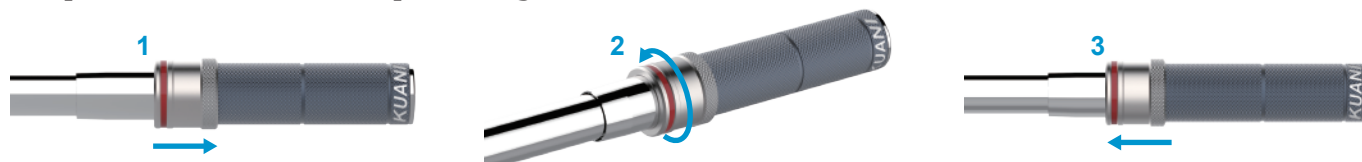
- Ideal for use with 9x12 mm & 14x18 mm rectangular cavity fittings
- Positive button design for quick and easily fitting release
- Accuracy: $\pm 3\%$ tolerance of scale set torque exceeds the standard specification ($\pm 4\%$) for industrial tightening applications
- Durable: Robust tube, alloy steel spring with high quality lubricant
- Dual-scale with Nm and in-lb(ft-lb)
- Simple and quick torque adjustment in front of the handle with auto lock design
- Click sound and vibration alerts when preset torque reached
- Ergonomic knurled non-slip handle grip
- Qualified to DIN ISO 6789 & ASME B107.300-2010

Specifications

MODEL	INSERT SIZE mm	TORQUE RANGE		GRADUATION unit	LENGTH mm	WEIGHT g
		Nm	ft-lb(in-lb)			
KI-TW-F25-K1	9 x 12	5~25	53-212 in-lb	0.2	227	330
KI-TW-F200-K1	14 x 18	40~200	33~144 ft-lb	1	503	1407



Simple & Quick Torque Adjustment

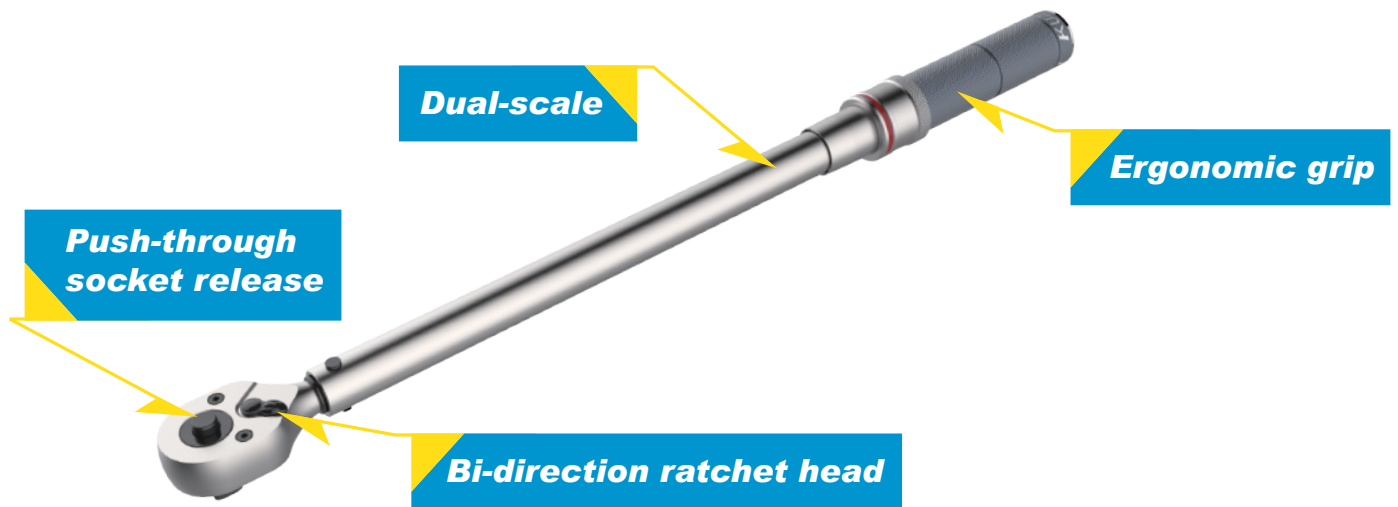


Specifications

MODEL	INSERT SIZE mm	TORQUE RANGE		GRADUATION unit	LENGTH inch	WEIGHT lbs
		ft-lb(in-lb)	Nm			
KI-TW-F25-K2	9 x 12	50~250 in-lb	6.8~27.1	2	8.93	0.73
KI-TW-F200-K2	14 x 18	20~150 ft-lb	34~197	1	19.8	3.24

TORQUE WRENCH

Industrial Torque Wrench Series

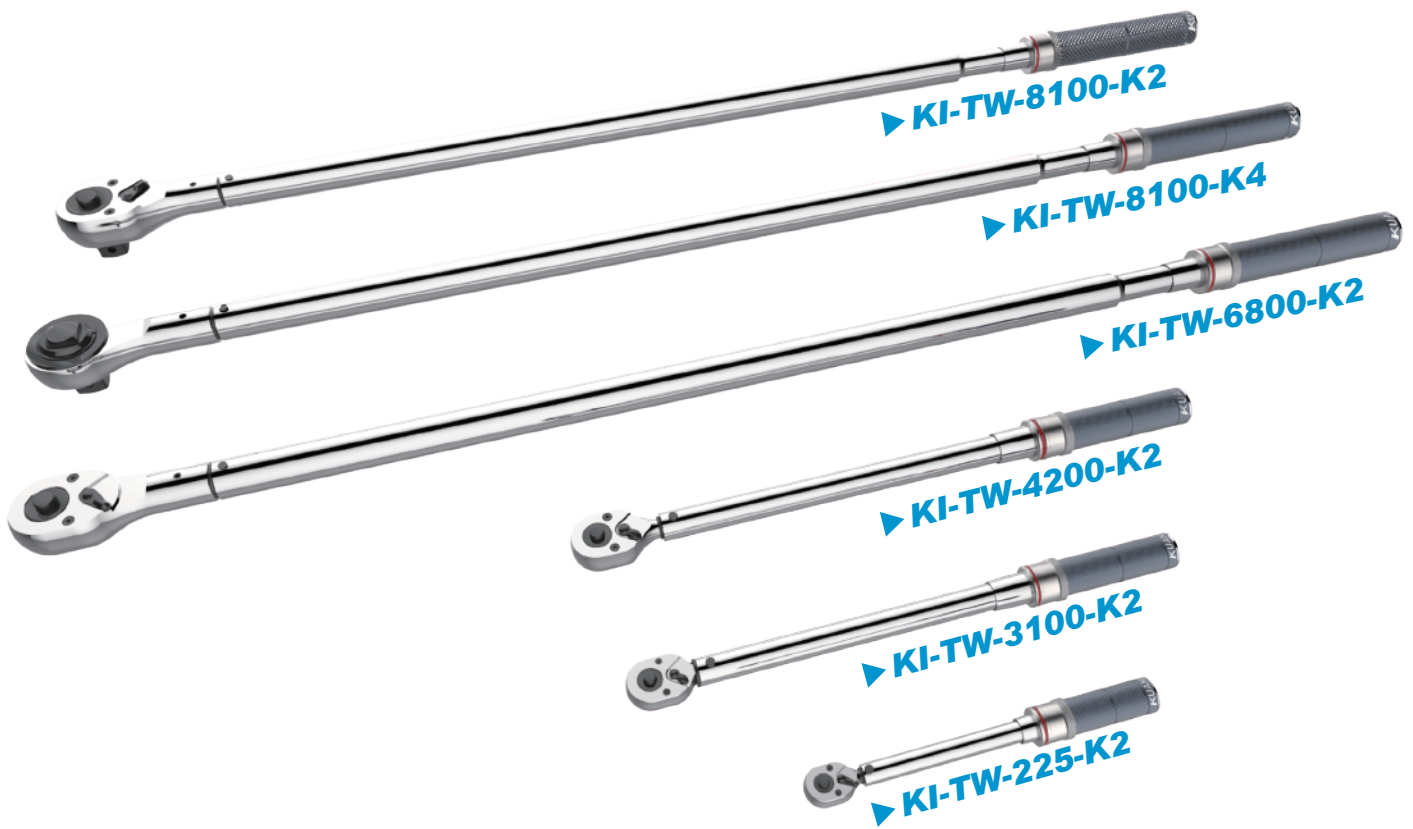


Features & Benefits

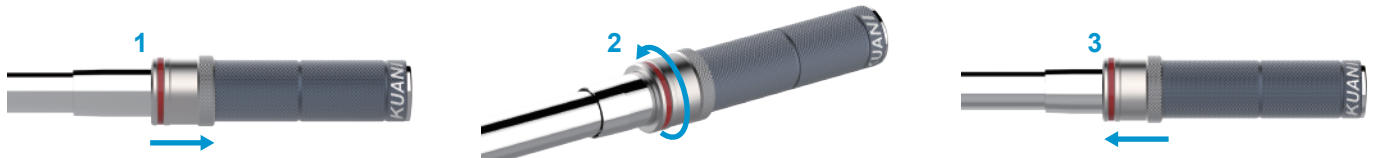
- Accuracy: $\pm 3\%$ tolerance of scale set torque exceeds the standard specification ($\pm 4\%$) for industrial tightening applications
- Durable: Robust tube, alloy steel spring with high quality lubricant
- Dual-scale with Nm and in-lb(ft-lb)
- Simple and quick torque adjustment in front of the handle with auto lock design
- Click sound and vibration alerts when preset torque reached
- Effortless push-through socket release
- Bi-direction ratchet head
- Ergonomic knurled non-slip handle grip
- Qualified to DIN ISO 6789 & ASME B107.300-2010

Specifications

MODEL	SQUARE DRIVE INCH	TEETH T	TORQUE RANGE		GRADUATION unit	LENGTH mm	WEIGHT g
			Nm	ft-lb(in-lb)			
KI-TW-225-K1	1/4	64	5~25	53-212 in-lb	0.2	248	340
KI-TW-3100-K1	3/8	32	20~100	16.6~71.9 ft-lb	0.5	433	1020
KI-TW-4200-K1	1/2	32	40~200	33~144 ft-lb	1	530	1650
KI-TW-6800-K1	3/4	24	150~800	129~572 ft-lb	5	1240	6400
KI-TW-81000-K1	1	24	200~1000	166~719 ft-lb	5	1240	6400
KI-TW-81000-K3	1	36	200~1000	166~719 ft-lb	5	1240	6286



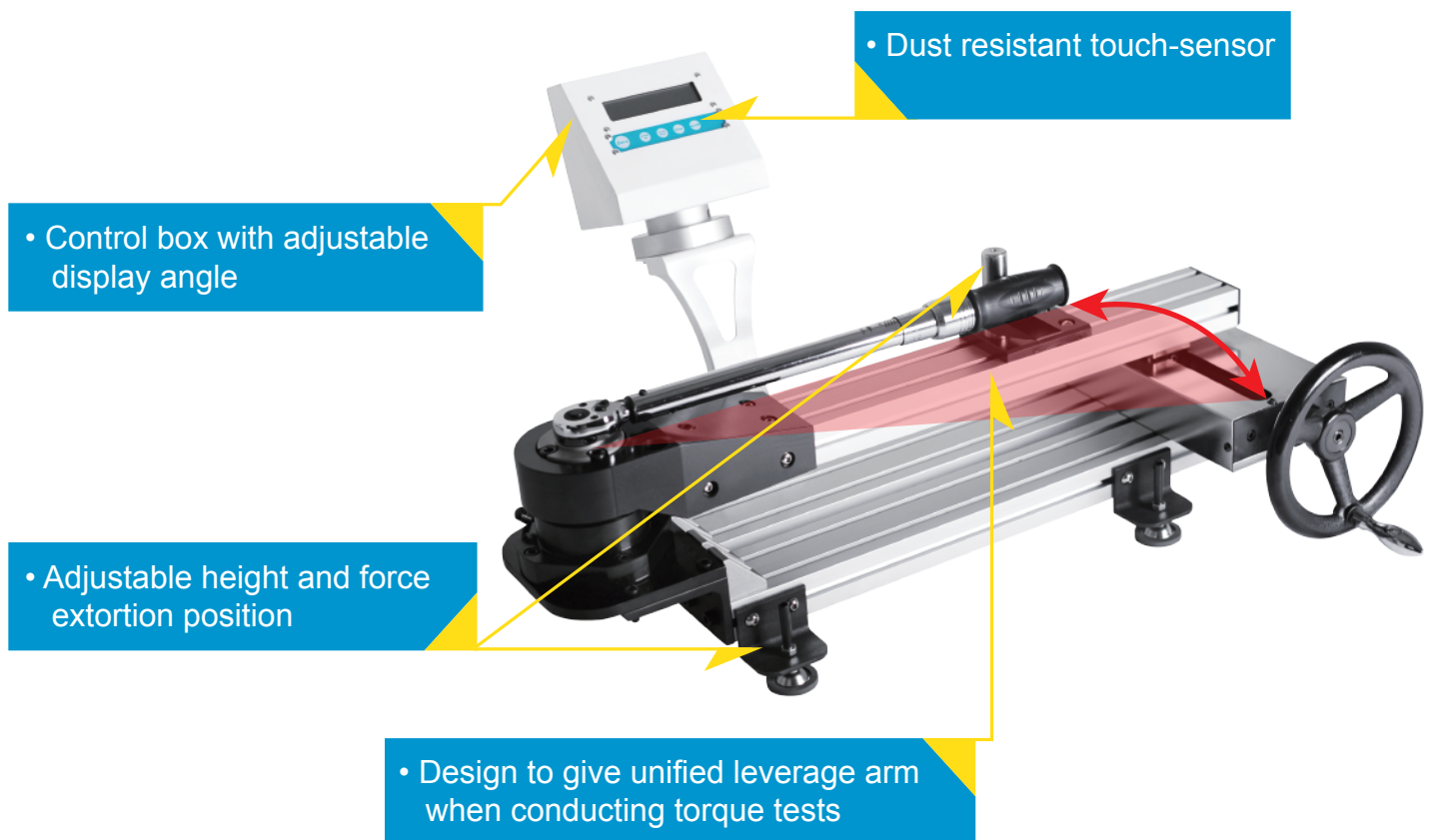
Simple & Quick Torque Adjustment



Specifications

MODEL	SQUARE DRIVE INCH	TEETH T	TORQUE RANGE		GRADUATION unit	LENGTH inch	WEIGHT lbs
			ft-lb(in-lb)	Nm			
KI-TW-225-K2	1/4	64	50~250 in-lb	6.8~27.1	2	9.76	0.75
KI-TW-3100-K2	3/8	32	20~100 ft-lb	33.9~128.8	1	17.05	2.25
KI-TW-4200-K2	1/2	32	20~150 ft-lb	34~197	1	20.87	3.64
KI-TW-6800-K2	3/4	24	100~600 ft-lb	169~779	5	48.82	11.68
KI-TW-81000-K2	1	24	150~750 ft-lb	237~983	5	48.82	14.11
KI-TW-81000-K4	1	36	150~750 ft-lb	237~983	5	48.82	13.86

TORQUE WRENCH TESTERS



Features

- **2 types of calibration mode for flexibility**

- **Standard Mode:**

- Mode 1 is a default mode and is calibrated according to ISO 26789. A Calibration Certificate is available upon request.

- **Self-setting Mode:**

- Mode 2 to 5 allows the operator to set test parameters. The Check Points, shown as “Cpoint” on the screen, can be set in mode 2 to 5 to obtain the torque curve of a benchmark torque wrench.

- The Zero Point is always the default at the base origin of torque curve followed by up to 4 Cpoint settings of the operators' choice.

- **4 choices of torque unit:** Kg-cm/Kg-m, In-Lb, N-m, Ft-Lb

- **Range of Drop percentage:** 2% to 12%

- Test results can be recorded on a computer and it is convenient to export report.

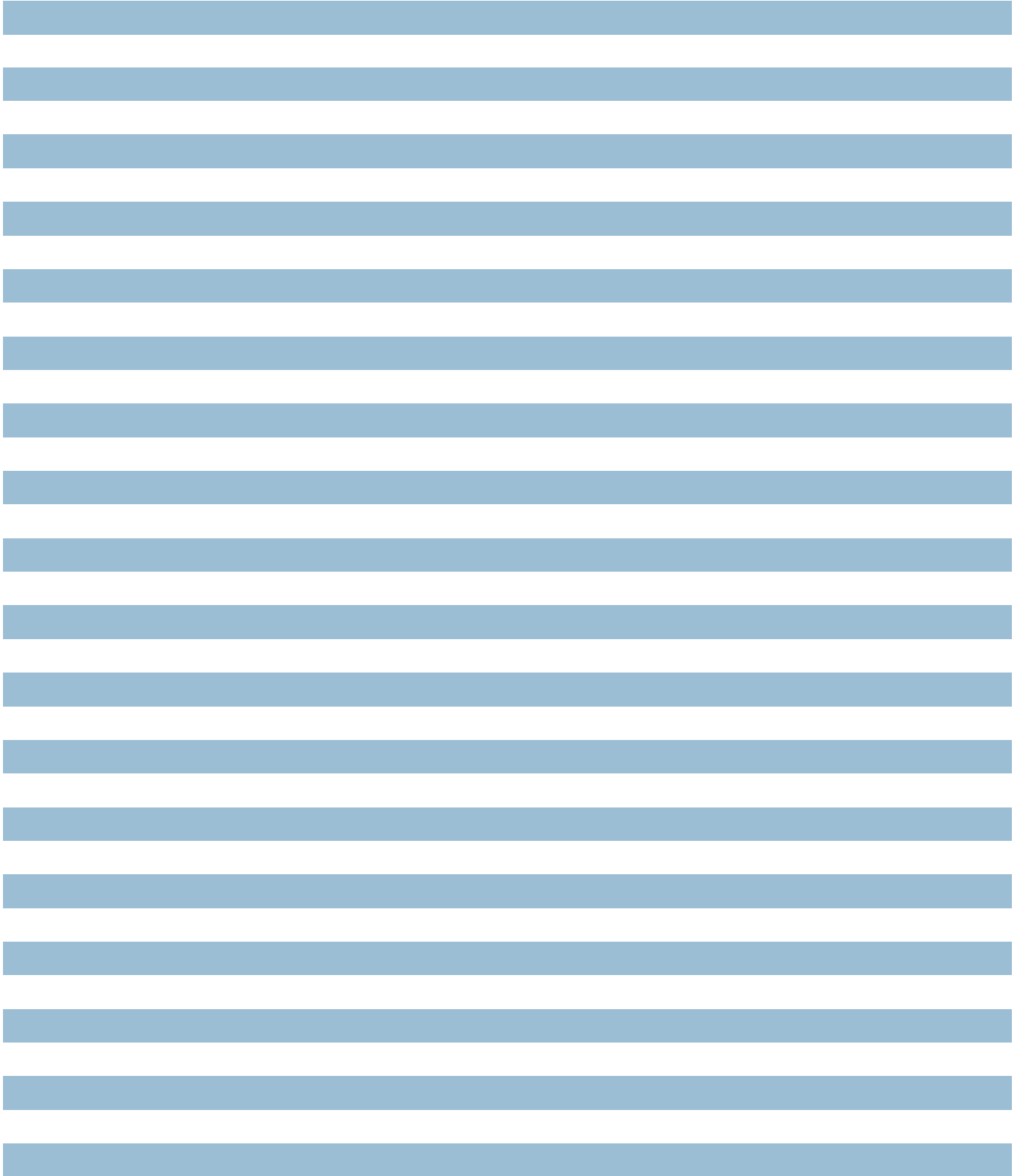
- Serial interface RS232 for PC.



Specifications

MODEL	KI-TA-03A	KI-TA-40A	KI-TA-100A
Measurement Range	5~30 N-m	40~400 N-m	100~1000 N-m
Display	5 effective digits max.	5 effective digits max.	5 effective digits max.
Accuracy	+/- 0.5%	+/- 0.5%	+/- 0.5%
Unit of Measurement	Lb-in, Lb-ft, Kg-cm, N-m	Lb-in, Lb-ft, Kg-cm, N-m	Lb-in, Lb-ft, Kg-m, N-m
Operating Temperature Range	+5°C~+40°C	+5°C~+40°C	+5°C~+40°C
Storage Temperature Range	0°C~+50°C	0°C~+50°C	0°C~+50°C
Operating Humidity	25~85%RH	25~85%RH	25~85%RH
Power Supply	90~260 Volt a.c.at 50-60 Hz input	90~260 Volt a.c.at 50-60 Hz input	90~260 Volt a.c.at 50-60 Hz input
Power Consumption	Less than 1.5 Watt	Less than 1.5 Watt	Less than 1.5 Watt
Power Cable	1800mm	1800mm	1800mm
Base Material/Finish	Aluminum Alloy Anodization	Aluminum Alloy Anodization	Steel / Painted
Dimension	560 x 250 x 180mm without parts	850 x 400 x 300mm without parts	1370 x 720 x 450mm without parts
PC Connection	RS-232	RS-232	RS-232
Net Weight	13.12Kg	36.3Kg	76.4Kg

NOTE

A series of 20 horizontal blue lines, evenly spaced, intended for writing notes. The lines are contained within a white rectangular area that is part of a larger page with blue and yellow decorative borders.

NOTE

20 horizontal blue lines for writing notes.



Kuani Gear Co Ltd

Head Office
Room 6, Floor 11, No.891-43
Zhongzheng Rd.,
Xinzhuang Dist.,
New Taipei City,
Post Code 24257
Taiwan
Tel: +886-(0)2-2903-3740
Fax: +886-(0)2-2902-8865



New Products_201702-001